

C-FILTER D-SUB ADAPTER

Socket connector / Plug connector – Precision machined contacts – Full Metal



RoHS compliant – CSA listed, File No.: LR 115000-1 – UL listed, File No.: E202784

DESCRIPTION

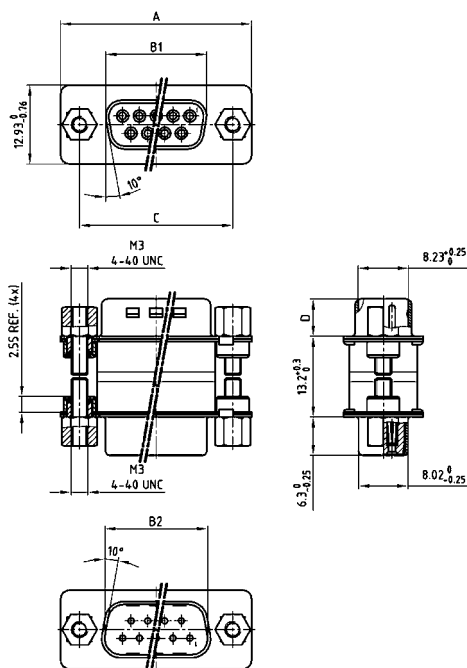
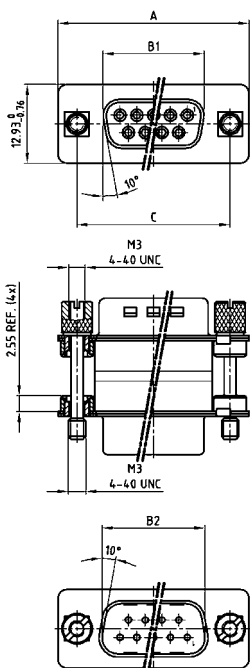
- Mounting styles:
 - with 4-40 UNC or M3 jack screw
 - with 4-40 UNC or M3 hex bolt
- Quality class 3 (also available in quality class 1)
- Shell: Steel tin plated

PRODUCT DRAWING

Version with jack screw

No. of pos.	A -0.76	B1 -0.25	B2 +0.25	C	D -0.3
09	31.19	16.46	16.79	25.00 ^{+0.12} / _{-0.13}	6.10
15	39.52	24.79	25.12	33.30 ^{+0.15} / _{-0.10}	6.12
25	53.42	38.50	38.84	47.04 ^{+0.13} / _{-0.10}	5.99
37	69.70	54.96	55.30	63.50 ^{+0.12} / _{-0.10}	5.99

Version with hex bolt



ORDER DATA

Capacitance 180 pF

SOCKET CONNECTOR / PLUG CONNECTOR WITH JACK SCREW		
No. of pos.	Mounting style	Part Number
09	4-40 UNC Jack screw	243 A 12160 X
15	4-40 UNC Jack screw	243 A 12170 X
25	4-40 UNC Jack screw	243 A 12180 X
37	4-40 UNC Jack screw	243 A 12190 X
09	M3 Jack screw	243 A 12320 X
15	M3 Jack screw	243 A 12330 X
25	M3 Jack screw	243 A 12340 X
37	M3 Jack screw	243 A 12350 X

SOCKET CONNECTOR / PLUG CONNECTOR WITH HEX BOLT		
No. of pos.	Mounting style	Part Number
09	4-40 UNC Hex bolt	243 A 13120 X
15	4-40 UNC Hex bolt	243 A 13130 X
25	4-40 UNC Hex bolt	243 A 13140 X
37	4-40 UNC Hex bolt	243 A 13150 X
09	M3 Hex bolt	243 A 13280 X
15	M3 Hex bolt	243 A 13290 X
25	M3 Hex bolt	243 A 13300 X
37	M3 Hex bolt	243 A 13310 X