

DO NOT SCALE DRAWING
DIMENSION IN METRIC

B

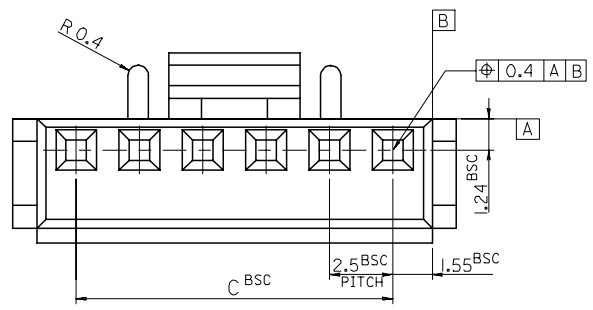
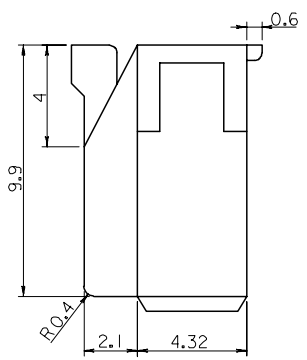
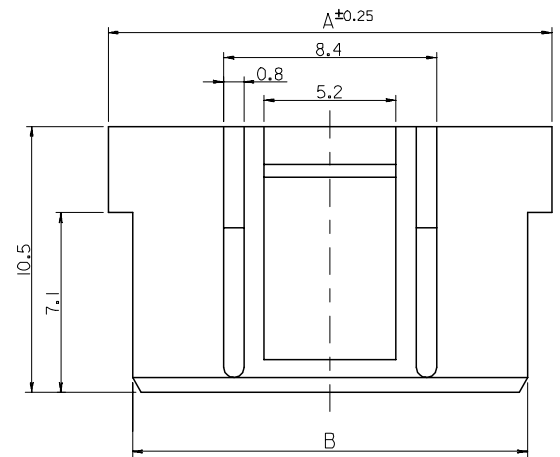
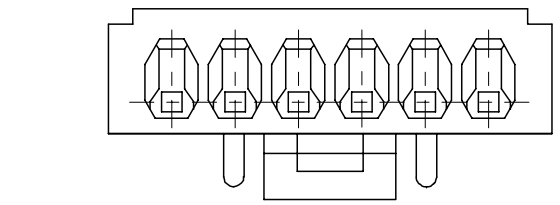
C

PROJECT NO.

SIMILAR ITEM

DWG. NO.

SD-35155-**-0*

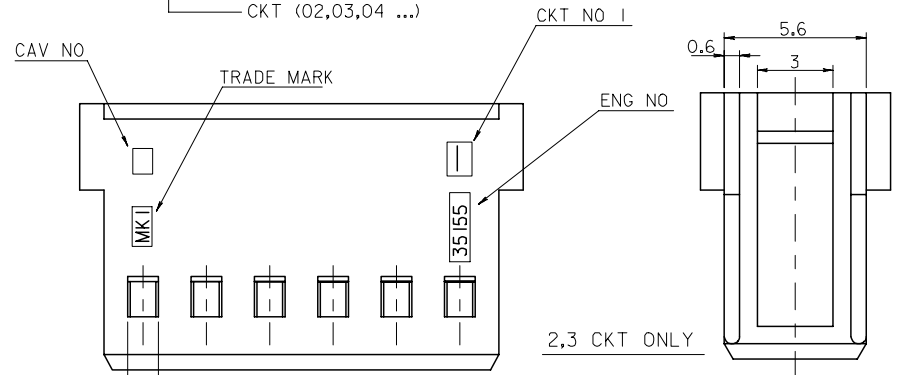


NOTE

1. MATERIAL : PBT UL 94V-0
2. USED WITH TERMINAL : 5103-*
3. MATED WITH WAFER ASS'Y : 35312-***|*

LEGEND

35155 - ** 0 *
 COLOR : 0 --- NATURAL
 1 --- BLACK
 2 --- RED
 3 --- YELLOW
 4 --- BLUE
 CKT (02,03,04 ...)



35	38.1	40	35155150*	35155-150*	15
32.5	35.6	37.5	140*	-140*	14
30	33.1	35	130*	-130*	13
27.5	30.6	32.5	120*	-120*	12
25	28.1	30	110*	-110*	11
22.5	25.6	27.5	100*	-100*	10
20	23.1	25	090*	-090*	9
17.5	20.6	22.5	080*	-080*	8
15	18.1	20	070*	-070*	7
12.5	15.6	17.5	060*	-060*	6
10	13.1	15	050*	-050*	5
7.5	10.6	12.5	040*	-040*	4
5	8.1	10	030*	-030*	3
2.5	5.6	7.5	35155020*	35155-020*	2
C	B	A	MATERIAL NO.	ENG NO.	CKT.

REVISED ECN NO. KOR2008-0105 DRWN: J.H.Lee 06/03/22 CHK: Y.SooKim 06/03/22 APPR: S.H.Chod	DESCRIPTION MAJOR CRITICAL C	QUALITY SYMBOLS	GENERAL TOLERANCES: (UNLESS SPECIFIED)		SCALE 5-1	DESIGN UNITS <input checked="" type="checkbox"/> mm <input type="checkbox"/> INCH	THIRD ANGLE PROJECTION <input type="checkbox"/> FIRST ANGLE <input checked="" type="checkbox"/> THIRD ANGLE	DIMENSIONS: <input type="checkbox"/> mm <input type="checkbox"/> INCH <input type="checkbox"/> mm ONLY	SHT REV
			4 PLACES ±0. ±- 3 PLACES ±0. ±- 2 PLACES ±0. ±- 1 PLACE ±0L ±-	ANGULAR: ± °	DRAWN BY & DATE HSSHIN	TITLE: 2.5 PITCH W/B CONN. HOUSING (WITH LOCK)		REVISE ON CAD ONLY	
G	REV	DRAFT WHERE APPLICABLE MUST REMAIN WITHIN DIMENSIONS	APPROVED BY & DATE JKOH		MOLEX INCORPORATED		SHEET NO. 1/1		
			CAD FILENAME SD35155.DGN		MATERIAL NO. SEE TABLE	DRAWING NO. SD-35155-**-0*	SIZE B		