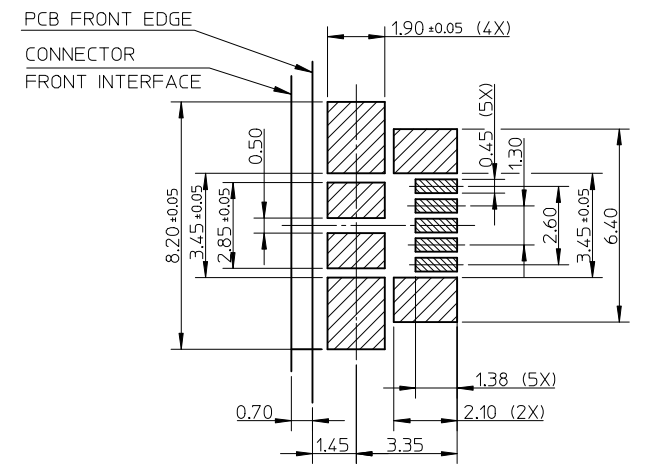


5	GND
4	ID
3	D+
2	D-
1	VBUS
PIN	NAME
PIN ASSIGNMENT	

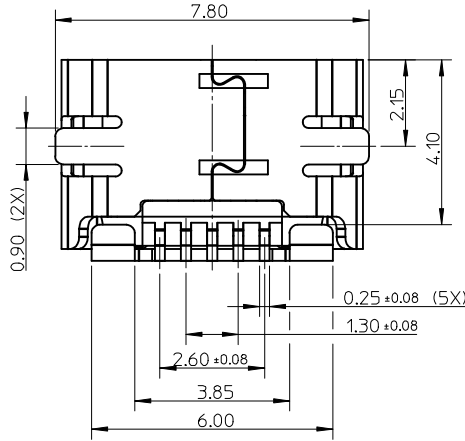
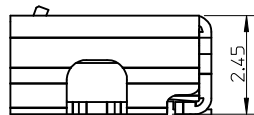
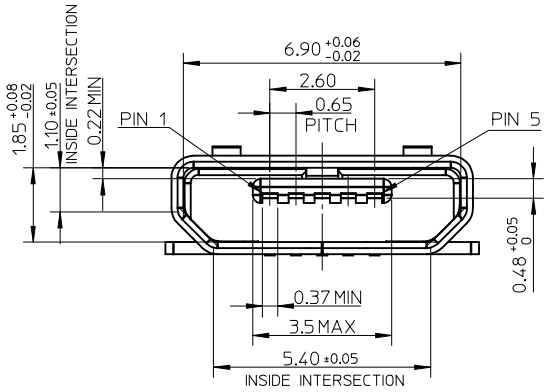
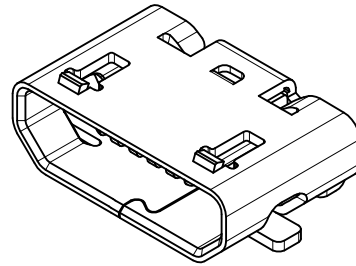
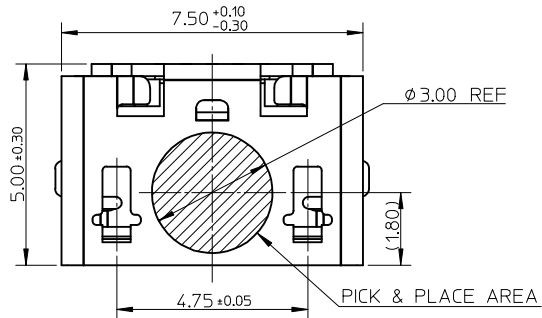
NOTES:

- MATERIAL:  
HOUSING: LCP, BLACK, UL94V-0;  
TERMINAL: COPPER ALLOY, THICKNESS: 0.15mm;  
SHELL: STAINLESS STEEL, THICKNESS: 0.30mm.
- PLATING:  
TERMINAL:  
CONTACT AREA: GOLD FLASH OVER MINIMUM 0.75MICRON Pd/Ni;  
SOLDER TAIL AREA: GOLD FLASH;  
UNDER PLATING: NICKEL 2.0MICRON MINIMUM.  
SHELL:  
MATTE TIN 3.8MICRON MINIMUM;  
UNDER PLATING: NICKEL 1.27MICRON MINIMUM.
- TAIL & NAIL COPLANARITY 0.08mm MAXIMUM.
- PRODUCT SPECIFICATION: PS-47346-001.
- PACKAGE SPECIFICATION: PK-47346-001.
- COMPLIANT TO RoHS DIRECTIVE 2002/95/EC AND ELV 2000/53/EC.



RECOMMENDED P.C.B. PATTERN LAYOUT  
GENERAL TOLERANCE: ±0.05

ADD PIN ASSIGNMENT EC NO: SH2014-0097 DRWN: XQZHANG 2013/09/02 CH'KD: XQZHANG 2013/09/02 APPR: AYTN 2013/09/03	QUALITY SYMBOLS ▽=0 ▽=0 ▽=0	GENERAL TOLERANCES (UNLESS SPECIFIED)		DIMENSION STYLE MM ONLY		SCALE 8:1	DESIGN UNITS METRIC	THIRD ANGLE PROJECTION		
		mm	INCH	DRAWN BY	DATE	TITLE				
		4 PLACES ± ---	± ---	XJSONG	2006/12/11	MICRO USB B REC, BOTTOM MOUNT ASS'Y				
		3 PLACES ± ---	± ---	CHECKED BY	DATE					
REV D	DESCRIPTION	ANGULAR ± 3 °		MATERIAL NO. 47346-0001		DOCUMENT NO. SD-47346-001		SHEET NO. 1 OF 2		
		DRAFT WHERE APPLICABLE MUST REMAIN WITHIN DIMENSIONS		APPROVED BY JNCHEN	DATE 2006/12/11	molex				
		SIZE A3		THIS DRAWING CONTAINS INFORMATION THAT IS PROPRIETARY TO MOLEX INCORPORATED AND SHOULD NOT BE USED WITHOUT WRITTEN PERMISSION						



SEE SHEET 1 EC NO: SH2014-0097 DRWN: XQZHANG 2013/09/02 CH'KD: XQZHANG 2013/09/02 APPR: AYIN 2013/09/03	REV DESCRIPTION	QUALITY SYMBOLS	GENERAL TOLERANCES (UNLESS SPECIFIED)	DIMENSION STYLE	SCALE	DESIGN UNITS	THIRD ANGLE PROJECTION	
		$\nabla_{\text{F}}=0$ $\nabla_{\text{F}}=0$ $\nabla_{\text{F}}=0$	mm    INCH 4 PLACES ± --- ± --- 3 PLACES ± --- ± --- 2 PLACES ± 0.25 ± --- 1 PLACE ± 0.25 ± --- 0 PLACE ±     ±	MM ONLY	8:1	METRIC	DRAWN BY: XJSONG    DATE: 2006/12/11 CHECKED BY:            DATE: APPROVED BY:         DATE: JNCHEN                 2006/12/11	
		ANGULAR ± 3° DRAFT WHERE APPLICABLE MUST REMAIN WITHIN DIMENSIONS	MATERIAL NO. 47346-1001	DOCUMENT NO. SD-47346-001	TITLE MICRO USB B REC. BOTTOM MOUNT ASS'Y FLANGELESS TYPE			
		SIZE A3	THIS DRAWING CONTAINS INFORMATION THAT IS PROPRIETARY TO MOLEX INCORPORATED AND SHOULD NOT BE USED WITHOUT WRITTEN PERMISSION					