

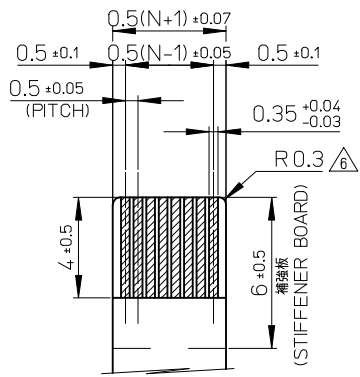
21.6	19.6	15.65	14.5	52437-3071	30
21.1	19.1	15.15	14.0	52437-2971	29
20.6	18.6	14.65	13.5	52437-2871	28
20.1	18.1	14.15	13.0	52437-2771	27
19.6	17.6	13.65	12.5	52437-2671	26
19.1	17.1	13.15	12.0	52437-2571	25
18.6	16.6	12.65	11.5	52437-2471	24
18.1	16.1	12.15	11.0	52437-2371	23
17.6	15.6	11.65	10.5	52437-2271	22
17.1	15.1	11.15	10.0	52437-2171	21

D	C	B	(A)	EMBOSSED PACKAGE	極数
				ORDER No. オーダー番号	CKT.

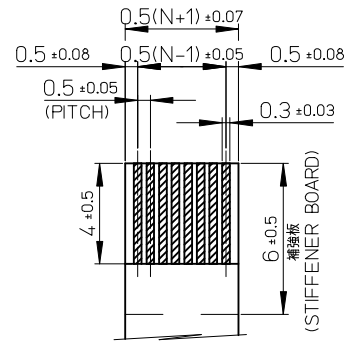
CONNECTOR SERIES NO. : 52437-**29

REVISED EC NO: J2014-0114 2013/07/22 DRWN: INOUE01 2013/07/29 CHKD: HIJIMA 2013/07/29 APPR: YNOGAWA 2013/07/29	GENERAL TOLERANCES (UNLESS SPECIFIED)		DIMENSION STYLE MM ONLY		SCALE 10:1		DESIGN UNITS METRIC		THIRD ANGLE PROJECTION	
	10 UNDER ±0.2		DRAWN BY M.UMEDA		DATE 2004/12/08		TITLE 0.5 FPC CONN.ZIF FOR SMT R/A (BOTTOM CONTACT) GOLD PLATING		molex	
	10 OVER 30 UNDER ±0.25		CHECKED BY K.TOYOTA		DATE 2004/12/08		DOCUMENT NO. SD-52437-019		SHEET NO. 1 OF 2	
	30 OVER ±0.3		APPROVED BY N.UKITA		DATE 2004/12/08		SEE CHART			
ANGULAR ±3 °		MATERIAL NO.		SIZE A3		THIS DRAWING CONTAINS INFORMATION THAT IS PROPRIETARY TO MOLEX INCORPORATED AND SHOULD NOT BE USED WITHOUT WRITTEN PERMISSION				
DRAFT WHERE APPLICABLE MUST REMAIN WITHIN DIMENSIONS										

F



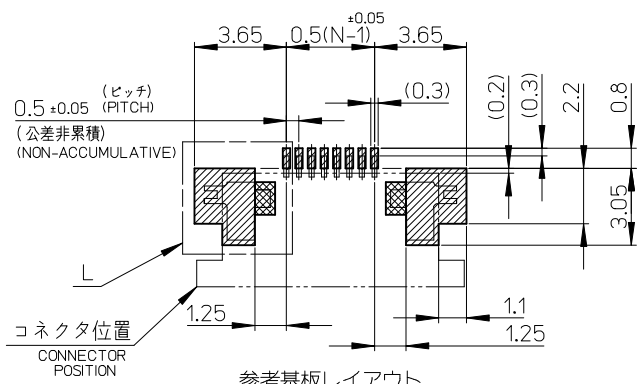
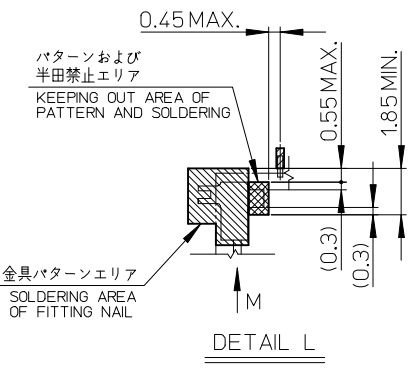
適合金めっきFPC推奨寸法
 APPLICABLE FPC OF GOLD
 PLATING RECOMMENDED DIMENSION
 仕上がり厚さ: 0.3±0.05
 THICKNESS: 0.3+0.05/-0.05



適合金めっきFFC推奨寸法
 APPLICABLE FFC OF GOLD
 PLATING RECOMMENDED DIMENSION
 仕上がり厚さ: 0.3±0.05
 THICKNESS: 0.3+0.05/-0.05

E

D

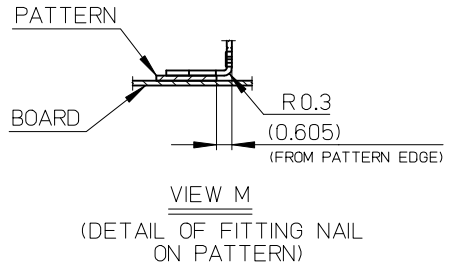


参考基板レイアウト
 (マウント面)
 RECOMMENDED P.C.BOARD
 PATTERN DIMENSION (REF.)
 (MOUNTING SIDE)

C

B

A



VIEW M
 (DETAIL OF FITTING NAIL
 ON PATTERN)

注記NOTES

1. 使用材料
 MATERIAL
 ハウジング: 46ナイロン、ガラス充填、UL94V-0、白
 HOUSING: PA46, GLASS FILLED, UL94V-0, WHITE
 アクチュエータ: ポリフェニレンサルフィド (PPS)、ガラス充填、UL94V-0、茶色
 ACTUATOR: POLYPHENYLENE SULFIDE, GLASS FILLED, UL94V-0, BROWN
 ターミナル: リン青銅、ニッケル下地金めっき (t=0.2)
 TERMINAL: PHOSPHOR BRONZE, GOLD OVER NICKEL PLATING
 金具: リン青銅、ニッケル下地金めっき (t=0.2)
 FITTING NAIL: PHOSPHOR BRONZE, TIN OVER NICKEL PLATING
2. エンボステープ梱包時は、アクチュエータがロックした状態になります。
 IN THE PACKAGE, ACTUATOR OF PART NO.52437-**-29 SHOULD BE LOCKED.
- △ ソルダータール半田付け面のズレ量、及び金具半田付け面のズレ量は、基準面Hに対して上方向に0.1MAXIMUM、下方向0.15MAXIMUMとする。
 MISALIGNMENT OF SOLDER TAILS AND FITTING NAILS FROM DATUM-H.
 UPPER DIRECTION: 0.1 MAXIMUM
 LOWER DIRECTION: 0.15 MAXIMUM
- △ 偶数極に適用
 APPLY FOR EVEN CIRCUIT.
- △ ハターン剥離止め金具
 FITTING NAIL FOR PREVENTION OF PEELING OF P.W.B. PATTERN.
- △ R0.3は、FPCの導体部にかからないこと
 R0.3 MUST NOT BE OVERLAPED TO PATTERN OF FPC.
7. ソルダータールの平坦度は、0.1MAXIMUMとする。
 SOLDER TAIL COPLANARITY IS 0.1 MAXIMUM.
8. ELV 及び RoHS 適合品
 ELV AND RoHS COMPLIANT

FPCについて:

打抜き方向は導体側から補強板側を推奨致します。
 補強フィルム材質はポリイミドを推奨致します。
 接着剤は熱硬化接着剤を推奨致します。

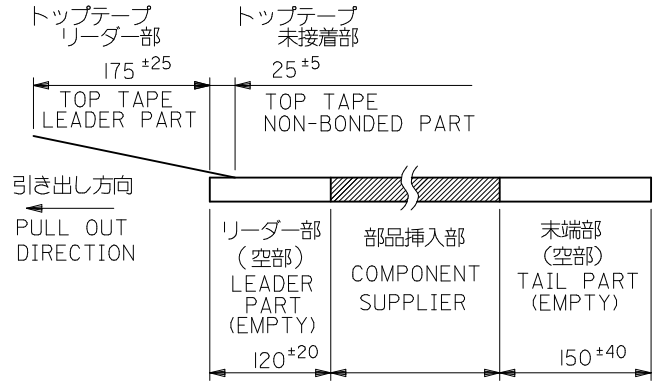
ABOUT FPC:

RECOMMENDED PUNCHER DIRECTION :
 FROM CONDUCTOR SIDE TO STIFFENER BOARD SIDE.
 RECOMMENDED MATERIAL:
 STIFFENER FILM : POLYIMIDE
 BONDING AGENT : THERMOSETTING BONDING AGENT

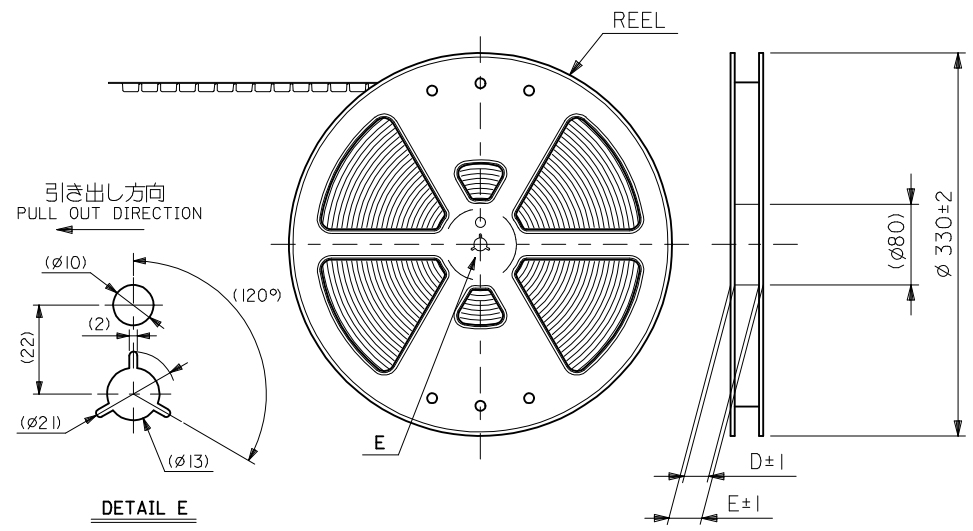
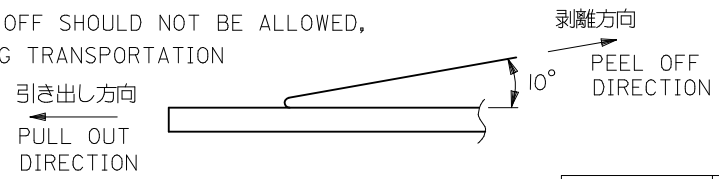
REVISED EC NO: J2014-0114 2013/07/22 DRWNN:INOUE01 2013/07/29 CHKD:HIJIMA APPR:YNOGAWA 2013/07/29	DESCRIPTION	GENERAL TOLERANCES (UNLESS SPECIFIED)		DIMENSION STYLE		SCALE	DESIGN UNITS	THIRD ANGLE PROJECTION		
				MM ONLY		5:1	METRIC			
		10 UNDER	± ---	DRAWN BY	DATE	TITLE				
		10 OVER 30 UNDER	± ---	M.UMEDA	2004/12/08	0.5 FPC CONN. ZIF FOR SMT R/A (BOTTOM CONTACT) GOLD PLATING				
30 OVER	± ---	CHECKED BY	DATE							
		APPROVED BY	DATE	molex						
ANGULAR	± --- °	N.UKITA	2004/12/08							
DRAFT WHERE APPLICABLE MUST REMAIN WITHIN DIMENSIONS		MATERIAL NO.	SEE SHEET 10F2		DOCUMENT NO.	SD-52437-019		SHEET NO. 2 OF 2		
		SIZE	THIS DRAWING CONTAINS INFORMATION THAT IS PROPRIETARY TO MOLEX INCORPORATED AND SHOULD NOT BE USED WITHOUT WRITTEN PERMISSION							

注記 NOTES

- 製品番号52437-**29の梱包状態はアクチュエータがロックした状態とする。
製品の詳細寸法については図面SD-52437-019を参照下さい。
IN THE PACKAGE, ACTUATOR OF PART NO. 52437-**29 SHOULD BE LOCKED RE DETAILED DIMENSIONS, SEE SD-52437-019.
- 梱包数量：1000個/リール
NUMBER OF CONNECTORS:1000PCS/REEL
- リードテープ長さ LEAD TAPE LENGTH



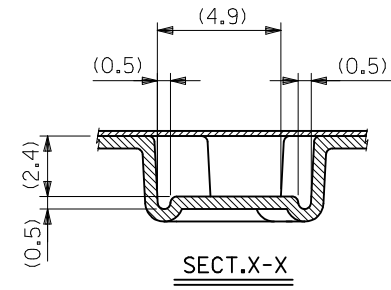
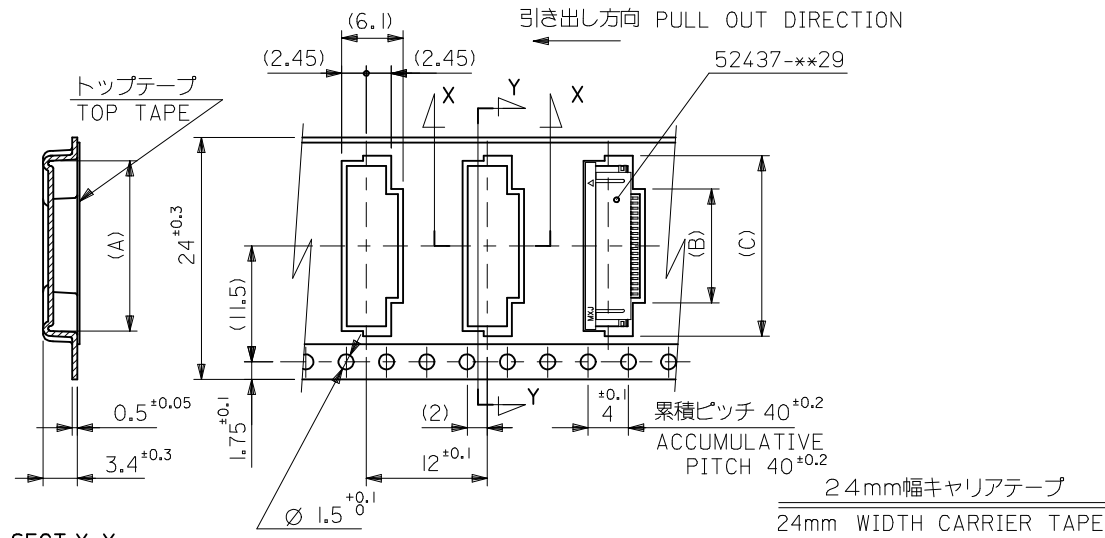
- トップテープの剥離強度：(剥離方向は下図参照)
0.1N~1.3N {10gf~130gf}尚、本規格値は、出荷時に適用。
(但し、輸送時に剥離が発生しない事。)
PEELING OFF FORCE OF TOP TAPE
0.1N ~1.3N {10gf ~130gf} (PEELING DIRECTION AS SHOWN IN FOLLOWING FIG.)
THIS REQUIREMENT SHOULD BE APPLIED AT SHIPMENT
PEEL OFF SHOULD NOT BE ALLOWED,
DURING TRANSPORTATION



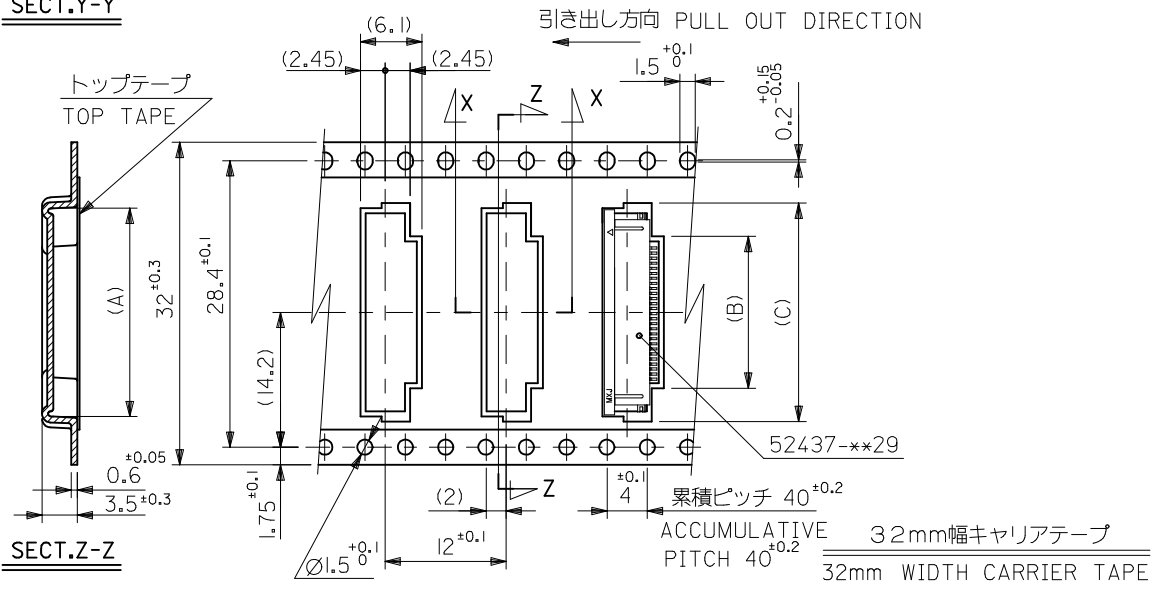
5. 材料 (MATERIAL)
 キャリアテープ (CARRIER TAPE) : ポリプロピレン (POLYPROPYLENE)
 トップテープ (TOP TAPE) : PET, PE, PEF
 リール (REEL) : ポリスチレン (PS) <リサイクル材を含む>
 POLYSTYREN (PS) <RECYCLE MATERIAL CONTAINED>

6. 本製品は 52437-**91 の鉛フリー品である。
 THIS PRODUCT IS LEAD FREE OF 52437-**91.

REVISED EC NO: J2014-0114 2013/07/22 DRWN: INOUE01 2013/07/29 CHKD: HIJIMA 2013/07/29 APPR: YNOGAWA 2013/07/29	DESCRIPTION REV	GENERAL TOLERANCES (UNLESS SPECIFIED)		DIMENSION STYLE MM ONLY		SCALE ---	DESIGN UNITS METRIC	MODEL NO.	52437-**71
		10 UNDER	±0.2	DRAWN BY M.UMEDA	DATE 2004-12/08	TITLE 0.5 FPC CONN. ZIF SMT RA WITH TAPE EMBSTP PKG -LEAD FREE-			
		10 OVER 30 UNDER	±0.25	CHECKED BY K.TOYODA	DATE 2004-12/08				
		30 OVER	±0.3	APPROVED BY N.UKITA	DATE 2004-12/08				
ANGULAR ±3 °		DRAFT WHERE APPLICABLE MUST REMAIN WITHIN DIMENSIONS		MATERIAL NO. SEE CHART		DOCUMENT NO. SD-52437-020		SHEET NO. 1 OF 3	
THIS DRAWING CONTAINS INFORMATION THAT IS PROPRIETARY TO MOLEX INCORPORATED AND SHOULD NOT BE USED WITHOUT WRITTEN PERMISSION									



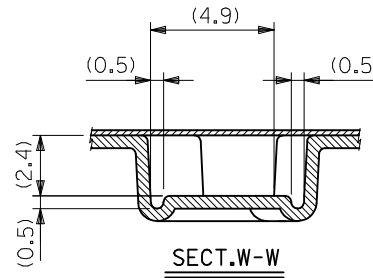
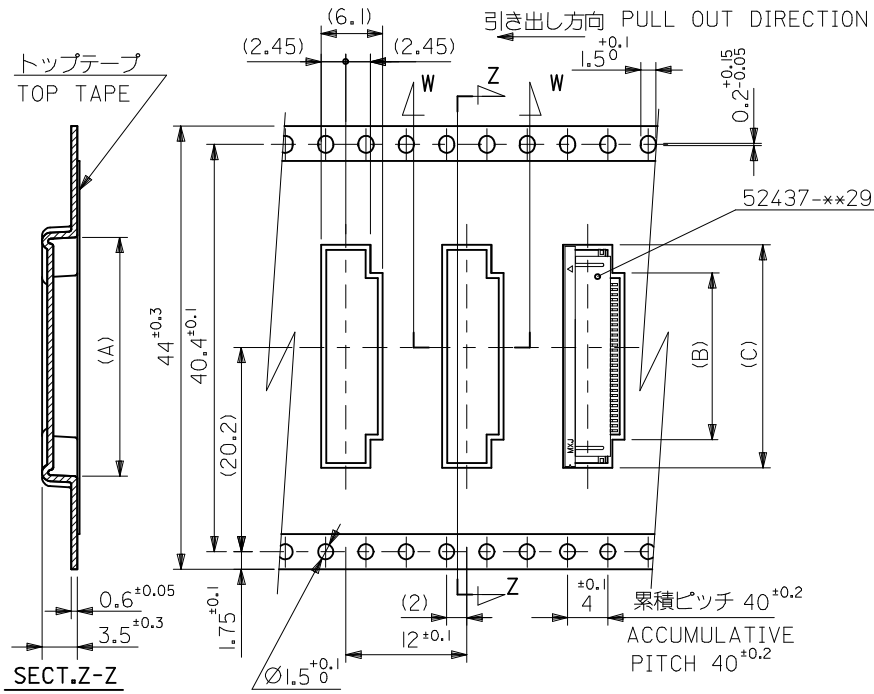
SECT.Y-Y



SECT.Z-Z

32	37.4	33.4	22.4	15.8	21.4	52437-2971	29
			21.9	15.3	20.9	52437-2871	28
			21.4	14.8	20.4	52437-2771	27
			20.9	14.3	19.9	52437-2671	26
			20.4	13.8	19.4	52437-2571	25
			19.9	13.3	18.9	52437-2471	24
			19.4	12.8	18.4	52437-2371	23
24	29.4	25.4	18.4	11.8	17.4	52437-2171	21
			18.9	12.3	17.9	52437-2271	22
キャリアテープ幅 CARRIER TAPE WIDTH	E	D	(C)	(B)	(A)	MATERIAL NO.	極数 CIRCUIT
						MODEL NO.	52437-**71

REVISED EC NO: J2014-0114 2013/07/22 DRWN: INOUE01 2013/07/29 CHKD: HIJIMA 2013/07/29 APPR: YNOGAWA	GENERAL TOLERANCES (UNLESS SPECIFIED)		DIMENSION STYLE	SCALE	DESIGN UNITS	TITLE 0.5 FPC CONN. ZIF SMT RA WITH TAPE EMBSTP PKG -LEAD FREE- molex DOCUMENT NO. SD-52437-020 SHEET NO. 2 OF 3
	10 UNDER ±0.2		MM ONLY	---	METRIC	
	10 OVER 30 UNDER ±0.25		DRAWN BY DATE	THIRD ANGLE PROJECTION		
	30 OVER ±0.3		M.UMEDA 2004/12/08	SEE CHART		
	ANGULAR ±3 °		CHECKED BY DATE	THIS DRAWING CONTAINS INFORMATION THAT IS PROPRIETARY TO MOLEX INCORPORATED AND SHOULD NOT BE USED WITHOUT WRITTEN PERMISSION		
DRAFT WHERE APPLICABLE MUST REMAIN WITHIN DIMENSIONS		N.UKITA 2004/12/08				



44mm幅キャリアテープ
44mm WIDTH CARRIER TAPE

44	49.4	45.4	22.9	16.3	21.9	52437-3071	30
キャリアテープ幅 CARRIER TAPE WIDTH	E	D	(C)	(B)	(A)	MATERIAL NO.	極数 CIRCUIT
						MODEL NO.	25437-**71

REVISED EC NO: J2014-0114 2013/07/29 DRWN: INOUE01 2013/07/29 CHKD: HIJIMA 2013/07/29 APPR: YNOGAWA 2013/07/29	GENERAL TOLERANCES (UNLESS SPECIFIED)		DIMENSION STYLE MM ONLY		SCALE ---	DESIGN UNITS METRIC	THIRD ANGLE PROJECTION	
	10 UNDER	±0.2	DRAWN BY M.UMEDA	DATE 2004/12/08	TITLE 0.5 FPC CONN. ZIF SMT RA WITH TAPE EMBSTP PKG -LEAD FREE-			
	10 OVER 30 UNDER	±0.25	CHECKED BY K.TOYODA	DATE 2004/12/08				
	30 OVER	±0.3	APPROVED BY N.UKITA	DATE 2004/12/08				
ANGULAR ±3 °		DRAFT WHERE APPLICABLE MUST REMAIN WITHIN DIMENSIONS		MATERIAL NO. SEE CHART		DOCUMENT NO. SD-52437-020	SHEET NO. 3 OF 3	
REV		SIZE A3		THIS DRAWING CONTAINS INFORMATION THAT IS PROPRIETARY TO MOLEX INCORPORATED AND SHOULD NOT BE USED WITHOUT WRITTEN PERMISSION				